

4

3

2

1

D

D

C

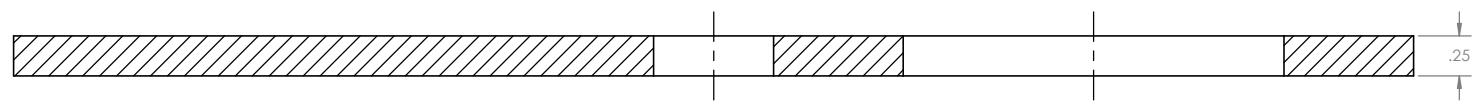
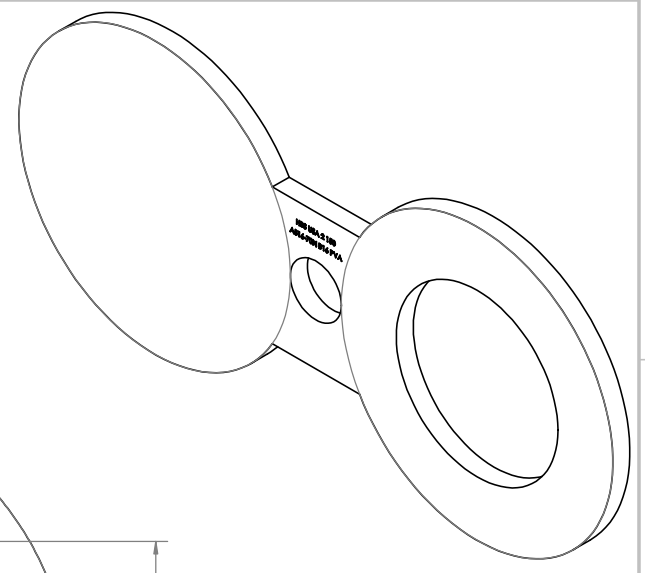
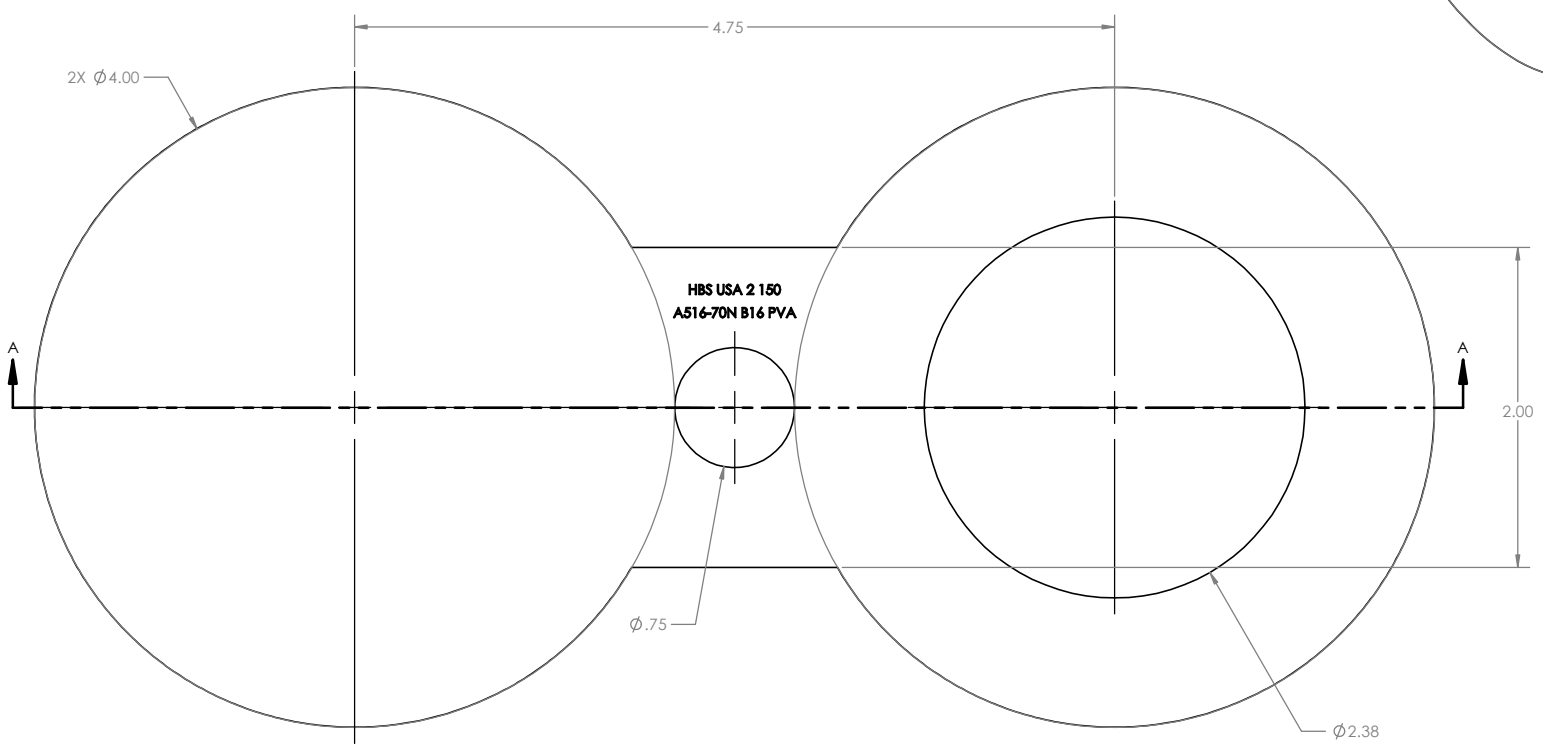
C


B

B

A

A



DO NOT SCALE PRINT		UNLESS OTHERWISE SPECIFIED: OUTSIDE DIAMETER: (+/-0.12) INSIDE DIAMETER: (+/-0.12) THICKNESS TOLERANCES (-ZERO +0.12) ALL UNITS IN INCHES OR POUNDS		<b>HYDROBLIND -ISOLUTIONS</b>
		SHEET 1 OF 1		
MATERIAL: CUSTOMER REQUESTED		DATE: 06/24/2020		DRAWING TITLE: 2 CL 150 FIGURE 8 BLIND
SCALE 1:0.6	SIZE <b>C</b>	DIMENSIONS & TOLERANCES TO BE IN ACCORDANCE WITH ASME B16.48	WEIGHT 1 lb	REV 00
		DRAWING NUMBER: 1SBK		

4

3

2

1